

SC1



SCM5*18(90401)

SC2



SCM5*18(90401)

SC3



SCM5*18(90401)

SC4



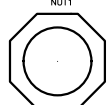
SCM5*18(90401)

SC5



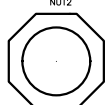
SCM5*18(90401)

NUTM5(10501)



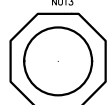
NUTM5
412-10501-01

NUTM5(10501)



NUTM5
412-10501-01

NUTM5(10501)



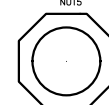
NUTM5
412-10501-01

NUTM5(10501)

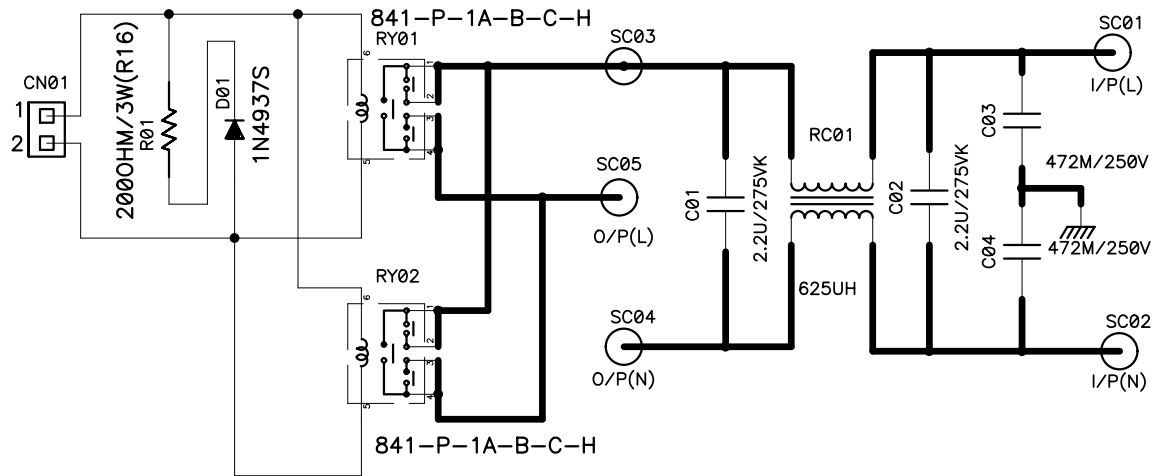


NUTM5
412-10501-01

NUTM5(10501)



NUTM5
412-10501-01



SANTAK

REVISE:

A4

CONFIDENTIAL
DO NOT COPY

Part No: SK710-02209-00-00

Sheet of

Title: O/P EMI

Drawn:

Designer:

Checked:

Approved:

710-02209-00 | 098-01094-00 | TP